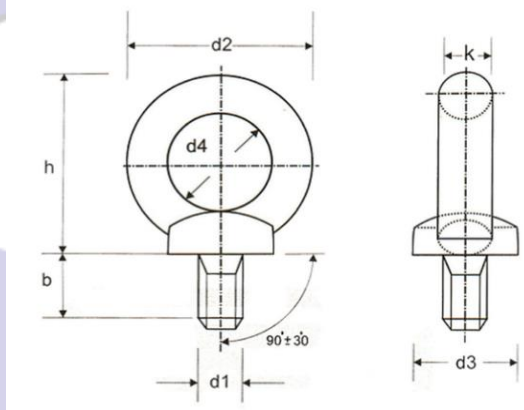




EYE BOLTS



Eye Bolts

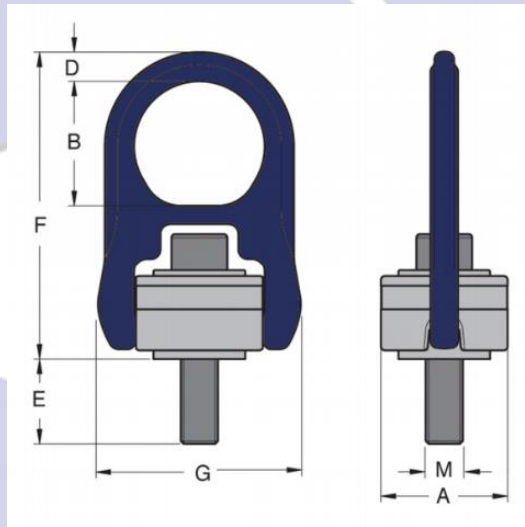


| Thread Diameter | For One Bolt | For Two Bolt | D1 | H | B | D2 | D3 | D4 | K |
|---|--------------|--------------|-----|------|------|-----|-----|-----|----|
| All Measurements in Millimeters (mm) | | | | | | | | | |
| M6 | 70 | 50 | M6 | 27.5 | 13 | 28 | 20 | 16 | 7 |
| M8 | 140 | 95 | M8 | 36 | 13 | 36 | 20 | 20 | 8 |
| M10 | 230 | 170 | M10 | 45 | 17 | 45 | 25 | 25 | 10 |
| M12 | 340 | 240 | M12 | 53 | 20.5 | 54 | 30 | 30 | 12 |
| M14 | 490 | 340 | M14 | 62 | 27 | 63 | 35 | 35 | 14 |
| M16 | 700 | 500 | M16 | 62 | 27 | 63 | 35 | 35 | 14 |
| M20 | 1200 | 830 | M20 | 71 | 30 | 72 | 40 | 40 | 16 |
| M22 | 1500 | 1050 | M22 | 90 | 35 | 81 | 45 | 45 | 18 |
| M24 | 1800 | 1270 | M24 | 90 | 36 | 90 | 50 | 50 | 20 |
| M27 | 2500 | 1650 | M27 | 109 | 36 | 90 | 50 | 50 | 20 |
| M30 | 3600 | 2600 | M30 | 109 | 45 | 108 | 65 | 60 | 24 |
| M33 | 4300 | 3200 | M33 | 128 | 45 | 108 | 65 | 60 | 24 |
| M36 | 5100 | 3700 | M36 | 128 | 54 | 126 | 75 | 70 | 28 |
| M42 | 7000 | 5000 | M42 | 147 | 63 | 144 | 85 | 80 | 32 |
| M45 | 8000 | 5500 | M45 | 168 | 63 | 144 | 85 | 80 | 32 |
| M48 | 8600 | 6100 | M48 | 168 | 68 | 166 | 100 | 90 | 38 |
| M52 | 9900 | 7300 | M52 | 187 | 68 | 166 | 100 | 90 | 38 |
| M56 | 11500 | 8300 | M56 | 187 | 78 | 184 | 110 | 100 | 42 |
| M64 | 16000 | 11000 | M64 | 208 | 90 | 206 | 120 | 110 | 48 |



Swivel Hoist Ring

SL SWIVEL HOIST RING
(M8-M20)

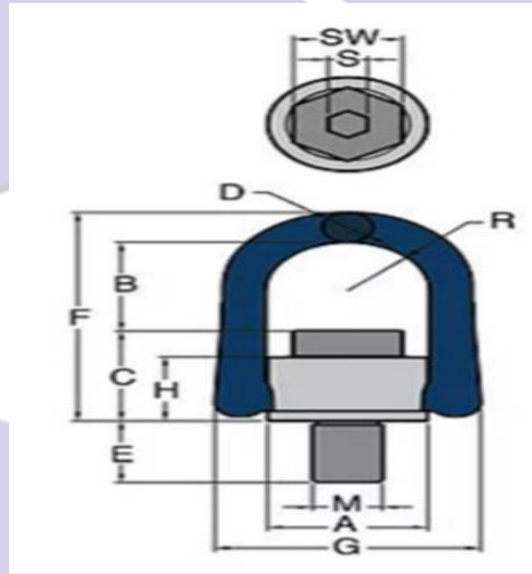


| Working Load Limit | | Thread | Dimensions (mm) | | | | | | Torque in Nm | Net-Weight Kgs |
|--------------------|------|----------|-----------------|----|----|----|-----|----|--------------|----------------|
| (Tons) | | | M | A | B | D | E | F | | |
| 5:1 | 4:1 | | | | | | | | | |
| 0.40 | 0.50 | M8X1.25 | 45 | 65 | 9 | 20 | 102 | 80 | 10 | 0.4 |
| 0.45 | 0.55 | M10X1.5 | 45 | 65 | 9 | 20 | 102 | 80 | 16 | 0.5 |
| 1.05 | 1.30 | M12X1.75 | 47 | 65 | 15 | 32 | 158 | 80 | 38 | 1.7 |
| 1.90 | 2.40 | M16X2 | 47 | 65 | 15 | 32 | 158 | 80 | 81 | 1.7 |
| 3.00 | 3.75 | M20X2.5 | 47 | 65 | 15 | 40 | 158 | 80 | 136 | 1.8 |



SL SWIVEL HOIST RING
(M24 ONWARDS)

Swivel Hoist Ring – M24 Onwards



| Working Load Limit | | Thread | Dimensions (mm) | | | | | | | | | | | Torque in Nm | Net-Weight (Kgs) |
|--------------------|------|---------|-----------------|-----|-----|----|----|-----|-----|-----|------|----|----|--------------|------------------|
| (Tons) | | | M | A | B | C | D | E | F | G | H | R | S | | |
| 5:1 | 4:1 | | | | | | | | | | | | | | |
| 4.0 | 5.0 | M24X3 | 85 | 93 | 87 | 34 | 36 | 210 | 154 | 62 | 43 | 14 | 36 | 400 | 2.6 |
| 4.5 | 5.6 | M27X3 | 85 | 90 | 90 | 32 | 38 | 210 | 154 | 62 | 45 | 17 | 41 | 400 | 4.9 |
| 6.25 | 7.8 | M30X3.5 | 85 | 85 | 92 | 32 | 48 | 210 | 154 | 62 | 45 | 17 | 46 | 500 | 5.0 |
| 10.0 | 12.5 | M36X4 | 110 | 112 | 98 | 38 | 54 | 246 | 188 | 75 | 57 | 22 | 55 | 1000 | 9.6 |
| 12.5 | 15.6 | M42X4.5 | 110 | 101 | 109 | 38 | 63 | 246 | 188 | 83 | 57 | 24 | 65 | 1500 | 10.9 |
| 16.0 | 20.0 | M48X5 | 110 | 97 | 113 | 38 | 72 | 246 | 188 | 83 | 57 | 27 | 75 | 2000 | 11.6 |
| 17.6 | 22.0 | M56X5.5 | 128 | 125 | 135 | 43 | 85 | 300 | 215 | 102 | 64.5 | - | 85 | 2100 | 15.0 |
| 18.0 | 22.5 | M64X6 | 128 | 125 | 138 | 43 | 95 | 300 | 215 | 105 | 64.5 | - | 95 | 2200 | 16.3 |